



DIN 1479 Hex Nut

Leader-Fastener is a manufacturer and distributor of **DIN 1479 Hex Nut**. We have a complete line of service from having invested in production plants, export department and to having a quality control team and center to meet your requirements. We regard quality as the life of the company. We persist in good quality as the first policy and have established a set of quality control and inspection system according to the international standard. We have carried out ISO9001 Quality Guarantee System in every course of production, transportation and selling. We do hope we could be your partner in business by topping quality, knight service and

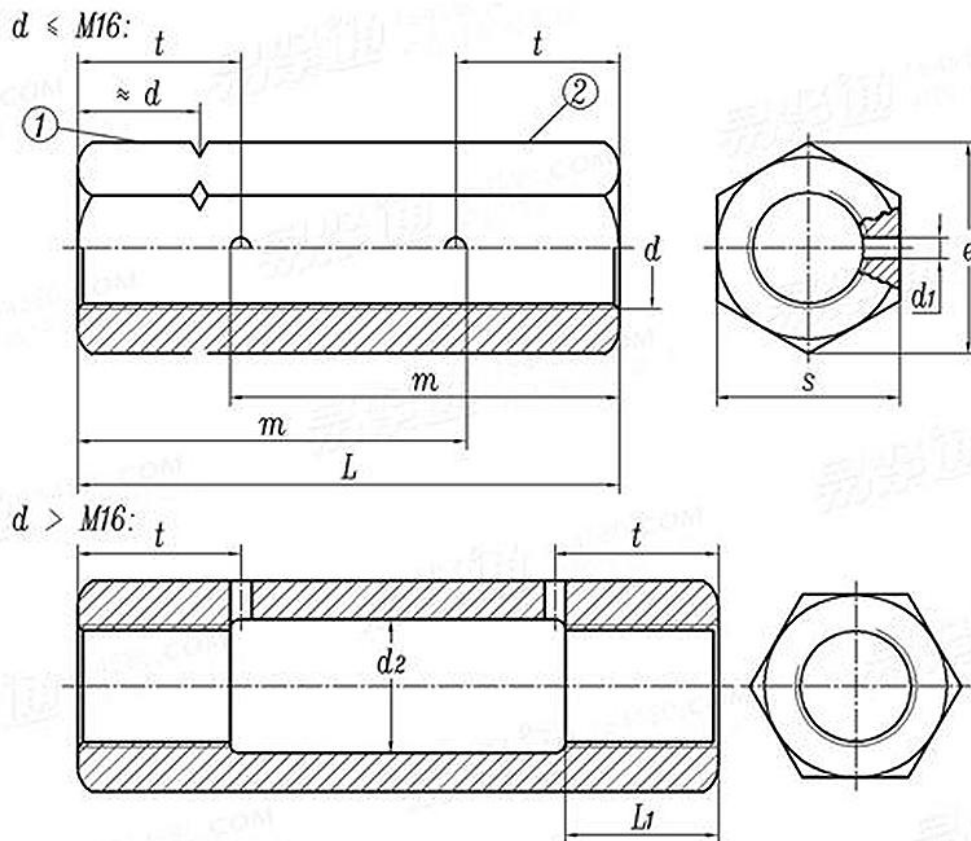
competitive price in the near future and be your friends as well.

DIN 1479 Hex Coupling Nut also known as extension nuts, are elongated internally threaded nuts used to join two male threads. Coupling nuts are often used for joining threaded rods or hanger bolts in a variety of applications that require extending threaded rod or attaching like items. With both left and right hand threading, these nuts are commonly known as turnbuckle nuts, minimum tensile strength of 60,000 psi.

Product Specification of DIN 1479 Hex Nut

Material : Carbon steel, Stainless steel, Alloy Steel, Brass.

Finishment: Black, Zinc Plated, Zinc Yellow, HDG, Phosphate, DACROMET, Geomet, Magin, Ruspert, Teflon, etc.

DIN 1479 - 2005 Hexagon Turnbuckles


Screw Thread		M6	M8	M10	M12	M16	M20	M24	M30
D		M6	M8	M10	M12	M16	M20	M24	M30
P	Pitch	1	1.25	1.5	1.75	2	2.5	3	3.5
d2		/	/	/	/	/	21	26	32
d1	max	4.3	4.3	4.3	4.3	4.3	4.3	4.3	4.3
	min	3.7	3.7	3.7	3.7	3.7	3.7	3.7	3.7
L	Nominal Size	30	35	45	55	75	95	115	125
	max	30.5	35.8	45.8	55.8	75.8	95.8	115.8	126.2
	min	29.5	34.2	44.2	54.2	74.2	94.2	114.2	123.8
s	max	10	13	16	18	24	30	36	46
	min	9.78	12.73	15.73	17.73	23.67	29.16	35	45
m	≈	22.5	25	33	40	55	24	29	36
t	≈	9.5	12	14	17	22	26	31	38

①, End with left-hand thread, optionally with L or with a groove that goes over the hexagonal corners.

②, End with right-hand thread.