



ASTM A194 Hex Nut

Leader Fastener is acknowledged as a manufacturer, exporter & suppliers of **ASTM A194 Hex Nuts** For High Strength Struc. We have a complete line of service from having invested in production plants, export department and to having a quality control team and center to meet your requirements. We regard quality as the life of the company. We persist in good quality as the first policy and have established a set of quality control and inspection system according to the international standard. We have carried out ISO9001 Quality Guarantee System in every course of production, transportation and selling.

We do hope we could be your partner in business by topping quality, knight service and competitive price in the near future and be your friends as well.

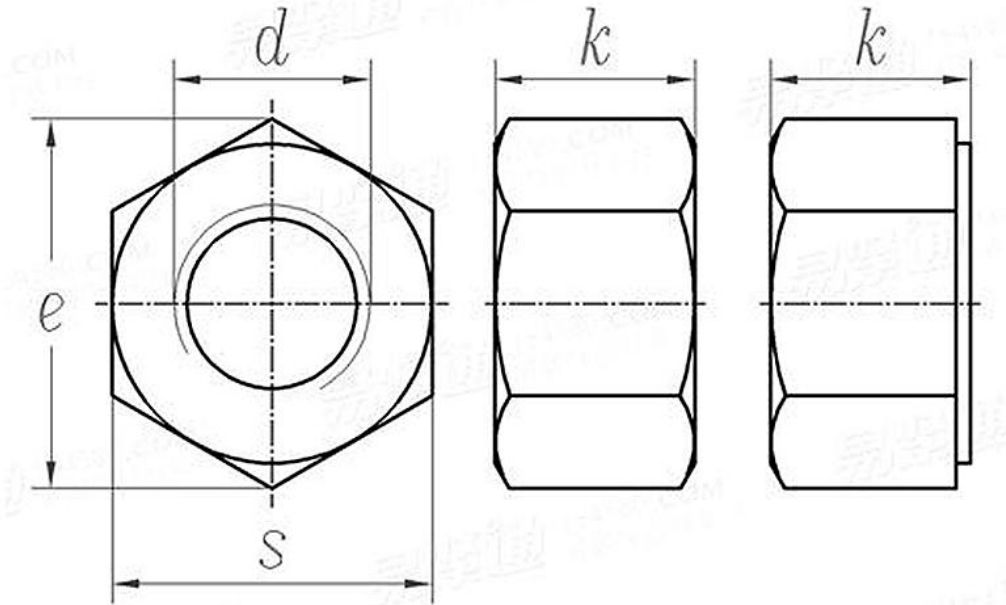
The **ASTM A194 Hex Nut** specification covers carbon, alloy and stainless steel nuts intended for use in high-pressure and/or high-temperature service. Unless otherwise specified, the American National Standard Heavy Hex Series (ANSI B 18.2.2) shall be used.

Nuts up to and including 1 inch nominal size shall be UNC Series Class 2B fit. Nuts over 1 inch nominal size shall be either UNC Series Class 2B fit or 8 UN Series Class 2B fit. High strength **ASTM A194-2H nuts** are common in the marketplace and are often substituted for ASTM A563-DH nuts due to the limited availability of DH nuts in certain diameters and finishes.

Product Specification of ASTM A194 Hex Nut

Material : Carbon steel, Stainless steel, Alloy Steel, Brass.

Finishment: Black, Zinc Plated, Zinc Yellow, HDG, Phosphate, DACROMET, Geomet, Magin, Ruspert, Teflon, etc.

ASME B 18.2.6 - 2010 Heavy Hex Nuts for Use With Structural Bolts (ASTM A 563 / ASTM A 194)


Screw Thread		1/2	5/8	3/4	7/8	1	1-1/8	1-1/4	1-3/8	1-1/2
d										
PP	UNC	13	11	10	9	8	7	7	6	6
s	Nominal Size	7/8	1-1/16	1-1/4	1-7/16	1-5/8	1-13/16	2	2-3/16	2-3/8
	max	0.875	1.062	1.25	1.438	1.625	1.812	2	2.188	2.375
	min	0.85	1.031	1.212	1.394	1.575	1.756	1.938	2.119	2.3
e	max	1.01	1.227	1.443	1.66	1.876	2.093	2.309	2.526	2.742
	min	0.969	1.175	1.382	1.589	1.796	2.002	2.209	2.416	2.622
k	Nominal Size	31/64	39/64	47/64	55/64	63/64	1-7/64	1-7/32	1-11/32	1-15/32
	max	0.504	0.631	0.758	0.885	1.012	1.139	1.215	1.378	1.505
	min	0.464	0.587	0.71	0.833	0.956	1.079	1.187	1.31	1.433

①,Chemical and mechanical properties of heavy hex nuts shall conform to ASTM A 563.