



ASME B18.10 Round Bolt

Leader-Fastener is a manufacturer and distributor of **ASME B18.10 Round Bolt**. We have a complete line of service from having invested in production plants, export department and to having a quality control team and center to meet your requirements. We regard quality as the life of the company. We persist in good quality as the first policy and have established a set of quality control and inspection system according to the international standard. We have carried out ISO9001 Quality Guarantee System in every course of production, transportation and selling. We do hope we could be your partner in

business by topping quality, knight service and competitive price in the near future and be your friends as well.

This Standard covers the complete general and dimensional data for inch series oval neck and elliptic neck track bolts and square nuts intended for use with these bolts, and recognized as an American National Standard. Sizes in use, but not recommended for new design, are included in the appendices of this Standard.

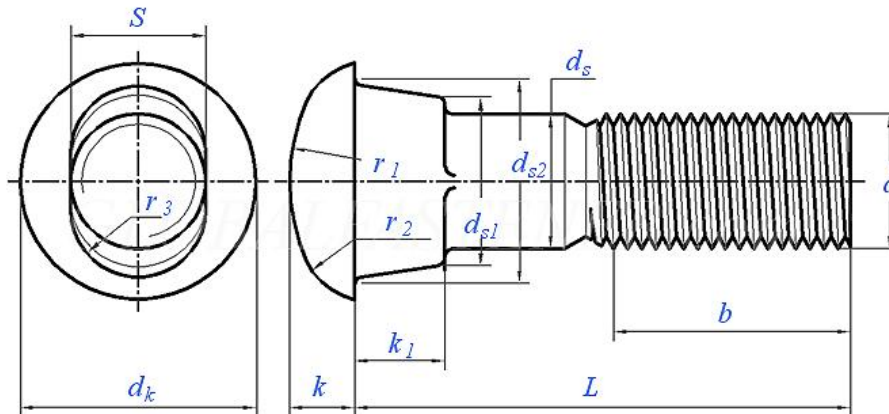
The key types of bolts covered include:

Round head bolts are frequently used in rail, heavy equipment, and agricultural applications. The bolts have a low profile head that does not interfere with many applications where a dramatic protrusion from a hex head or other style would. There are a variety of styles that include underhead features to hold the bolt in place while a nut is being tightened.

Step bolts are of similar design to a round head, square-necked bolt but with a much larger head size.

Elevator bolts are of similar design to the round head bolts but with a comparatively flat head frequently used in agricultural applications such as grain and other such elevators

ASME B18.5-2012 requires the use of additional standards—published by ASTM, ASME, IFI, and SAE -- in reference to thread dimensions, materials, mechanical properties, and finishes.

ASME B 18.10 - 2006 Oval Neck Track Bolts [Table 1] (A449, A354)


Thread Size		1/2	5/8	3/4	7/8	1	1-1/8
d		1/2	5/8	3/4	7/8	1	1-1/8
PP		13	11	10	9	8	7
ds	min	0.482	0.605	0.729	0.852	0.976	1.098
	max	0.515	0.642	0.768	0.895	1.022	1.149
dk	Nominal Size	7/8	1-5/64	1-9/32	1-31/64	37211	1-57/64
	min	0.8125	1.0156	1.2188	1.4219	1.6250	1.8281
	max	0.9375	1.1406	1.3438	1.5469	1.7500	1.9531
k	Nominal Size	5/16	25/64	15/32	35/64	5/8	45/64
	min	0.2500	0.3281	0.4063	0.4844	0.5625	0.6406
	max	0.3750	0.4531	0.5313	0.6094	0.6875	0.7656
r1		11/16	59/64	1-5/32	1-25/64	1-5/8	1-55/64
r2		9/32	23/64	7/16	33/64	19/32	43/64
ds2	Nominal Size	5/8	13/16	1-1/16	1-7/32	1-3/8	1-17/32
	min	0.5938	0.7813	1.0313	1.1875	1.3438	1.5
	max	0.6563	0.8438	1.0938	1.2500	1.4063	1.5625
ds1	Nominal Size	19/32	25/32	1-1/32	1-3/16	1-11/32	1-1/2
	min	0.5625	0.75	1	1.1563	1.3125	1.4688
	max	0.6250	0.8125	1.0625	1.2188	1.3750	1.5313
k1		5/16	3/8	7/16	1/2	9/16	5/8
r3		1/4	5/16	3/8	7/16	1/2	9/16
b	min	1-1/8	1-1/4	1-3/4	2	2-1/4	2-1/2